

MOBILE FILTER



LF 50

**Portable filter with a large range of applications.
For flexible solutions during temporary work.**

The Fumex LF 50 portable filter includes the model FF 50 fan complete with speed control.

The filter is available in 2 versions, Particle/Gas and Gas filter.

For ease of selection and installation LF is available as 6 complete kits, type LFK.

The FF 50 fan can also be used without a filter as a separate unit with a bracket for use in combination with the Fumex range of small extractors.

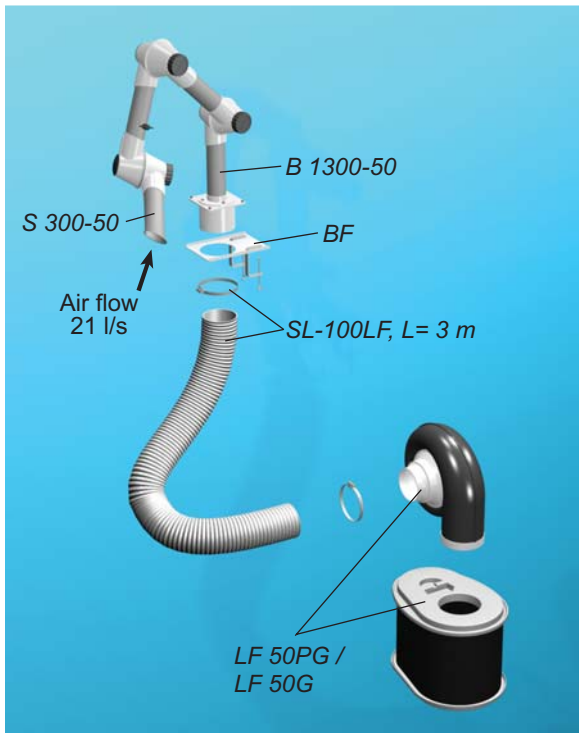
Can also be used as a separate unit in combination with the LF VK bracket and the Fumex range of small extractors.



FUMEX®

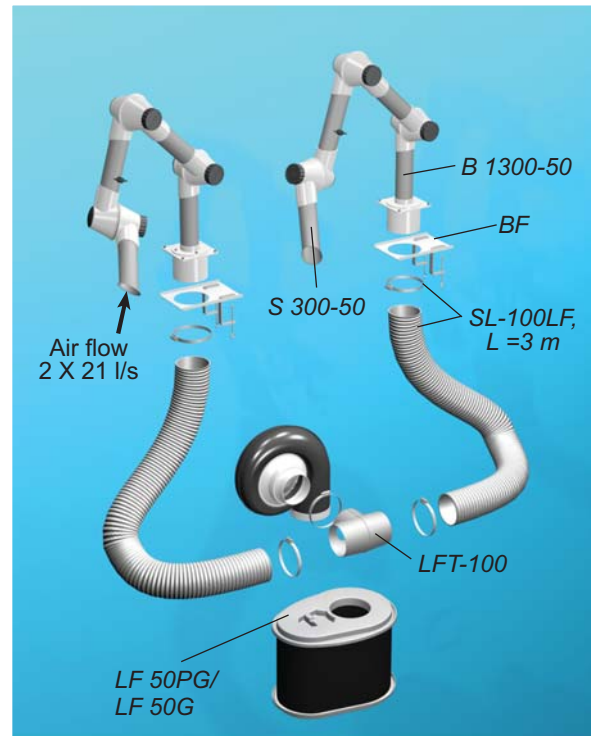
Pure advantage

LFK 150



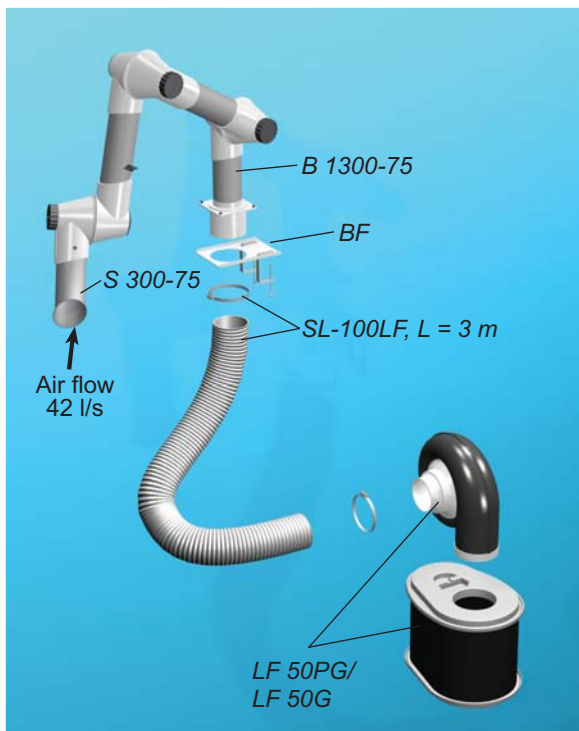
The LFK 150 is a single arm system, ideal for stand alone workstations, based on the Terfu 50 mm diameter arm.

LFK 250



The LFK 250 is a twin arm system, utilising the Terfu 50 mm diameter arms. The system is supplied with interconnecting ductwork, hose adaptors, and table brackets.

LFK 175



The LFK 175 is a single station system utilising the Terfu 75 mm diameter; this delivers higher air volumes for greater capture performance.

Accessories



FLAT SCREEN HOOD

The best extraction efficiency at table and bench work.

Part number:

PH 300-50 (Ø50 mm)
PH 300-75 (Ø75 mm)

DOMED HOOD

Capture vapours from open vessels.

Part number:

K 350-50 (Ø50 mm)
K 350-75 (Ø75 mm)

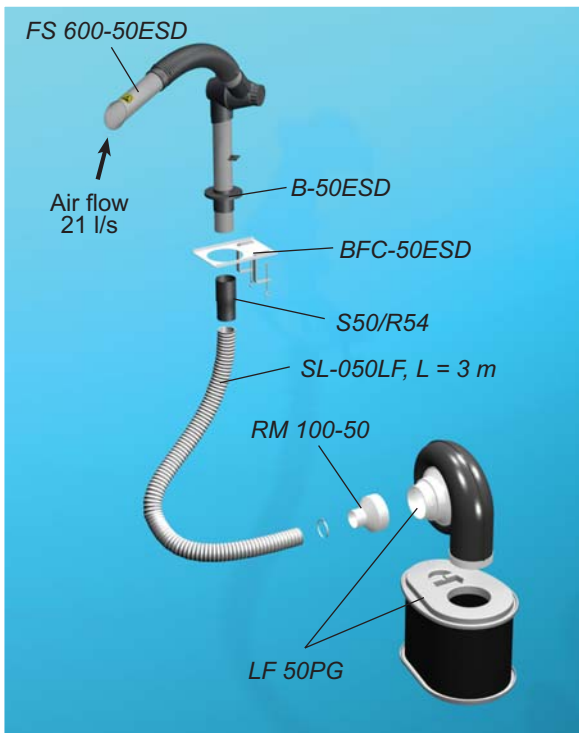
SQUARE HOOD

Used to capturing gases from above or the sides of the work area.

Part number:

SH 350-50 (Ø50 mm)
SH 350-75 (Ø75 mm)

LFK 150F



The LFK 150F is a single station system using the new flex arm, providing a lower cost solution with superb flexibility. The arm and flex nozzle is antistatic (ESD) and is ideal for electronic assembly.

LFK 250F



The LFK 250F is a twin station system using the new flex arm, providing a lower cost solution with superb flexibility for two workstations. The system is supplied with the hose adaptors and interconnecting ductwork.

LFK 350C



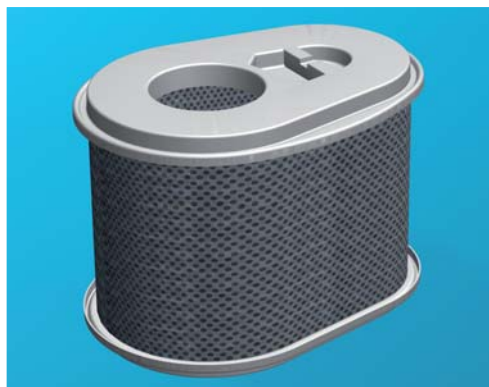
The LFK 350C is a unique system using a polycarbonate cabinet, for maximum peace of mind. When working within the cabinet you are assured that effective capture is always there. Ideal for open glue pots, analytical equipment or test areas.



Portable filter unit
Part.no: LF 50PG-230 particle/gas filter
Part.no: LF 50G-230 gas filter
A fan and filter combination with a quiet running, high power compact fan, with integrated speed controller. The LF 50PG is equipped with a multistage filter comprising HEPA and gas filter. The LF 50G filter is equipped with a gas filter



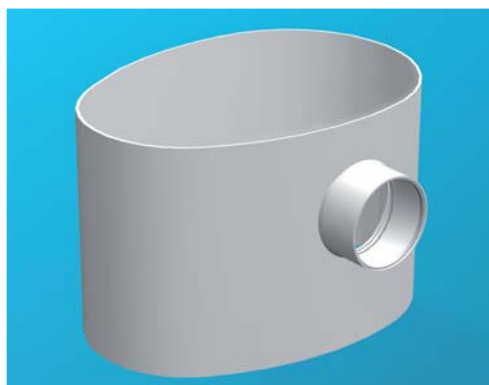
Speed control fan
Part.no: FF 50-230
The integrated speed control allows you to infinitely vary the airflow to ensure maximum user control. The fan has been aerodynamically designed for optimum performance with minimal pressure drop. This creates a low noise unit with excellent air capacity.



Particle/Gas filter
Part.no: FHC 50
A two stage filter that separates dust and fume particles with the initial HEPA section. This is followed by a Activated Carbon filter for adsorption of VOCs, gases and odours.



Gasfilter
Part.no: FC 50
A high capacity (6.5 kg) filter for applications needing gas filtration only. The high quality granulated activated carbon is suitable for the adsorption of VOCs, gases and odours. Please see application guide for more information.



VTA adaptor
Part.no: LF VTA
A specially designed sleeve to enable the filtered air to be vented to atmosphere, e.g. connection to a existing duct system.



Bracket
Part.no: LF VK
Compatible with the FF 50 fan, for wall or ceiling mounting.

Application guide line

Type of application	Hazard substances	Rec. LFK	Rec. filter
Soldering (Electronic)	Resin, Lead, Terpene, Limonene, Borneol, Isosyanates	LFK 150F/250F	Particle/Gas
Solder Pot	Resin, Lead, Terpene	LFK 175	Particle/Gas
Gluing / Bonding	VOC ¹ , Methylmetacrylate (MMA), Toluene, Ethyl-2-cyanoacrylate, Tetrahydrofuran, Cyklohexanone	LFK 150/175	Gas
Screen printing	Methyl ethyl ketone (MEK), Toluene	LFK 150	Gas
Cleaning / degreasing	Acetone, Toluene, MEK, VOCs ¹	LFK 350C	Gas
Dental Lab	Dust, MMA	LFK 175	Particle/Gas
Nail salon	2-Hydroxyethyl methacrylate (HEMA), MMA, Acetone, buffing dust	LFK 150	Particle/Gas
Laser cutting	Dust, metal particulate, odour	LFK 150	Particle/Gas
Moulding	Epoxi, Styrene	LFK 175	Gas
Conservation	VOCs ¹	LFK 175/LFK 350C	Particle/Gas
Precision TIG welding	Welding fume, Gases, Ozone	LFK 175	Particle/Gas
Stained Glass working	Lead fume, VOCs ¹	LFK 175	Particle/Gas
Botany research	VOCs ¹	LFK 175	Gas
Sculpturing	VOCs ¹ , silica dust, sealants	LFK 150/LFK 175	Particle/Gas

¹ Volatile Organic compounds

Health aspects

Particles from fume and dust.

Some particles from substances such as quartz can enter and remain in the lungs. Other particles can enter the blood stream and are transported to other organs and areas of the body. If the fume for instance includes lead the particles can enter the alveolus in the lungs and then transferred to the blood stream and can be transported to the skeleton.

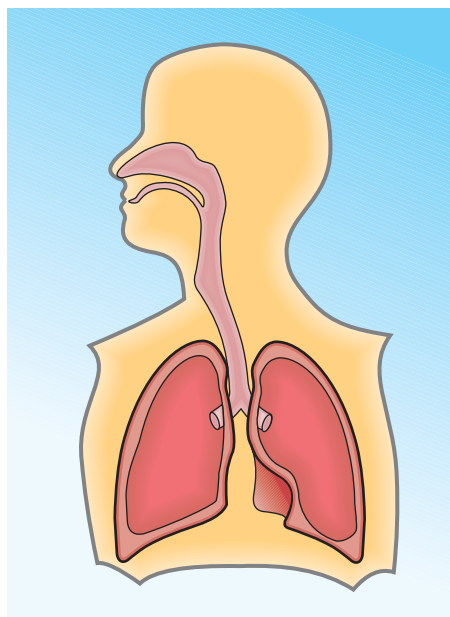
Vapour from solvents (VOC).

Nearly all solvents are Volatile Organic Compounds or liquids. They are used in a many every day applications, such as component cleaning, degreasing, and to dissolve products that are not able to be dissolved in water. They also form the drying agent in products such as adhesives, paints, and varnishes. Vapours from these solvents typically have a narcotic effect that courses tiredness, dizziness and intoxication. Vapour and gases from solvents can also enter your body by the respiratory system and then spread to the brain and liver. The vapours from solvents are also irritating your eyes and respiratory system.

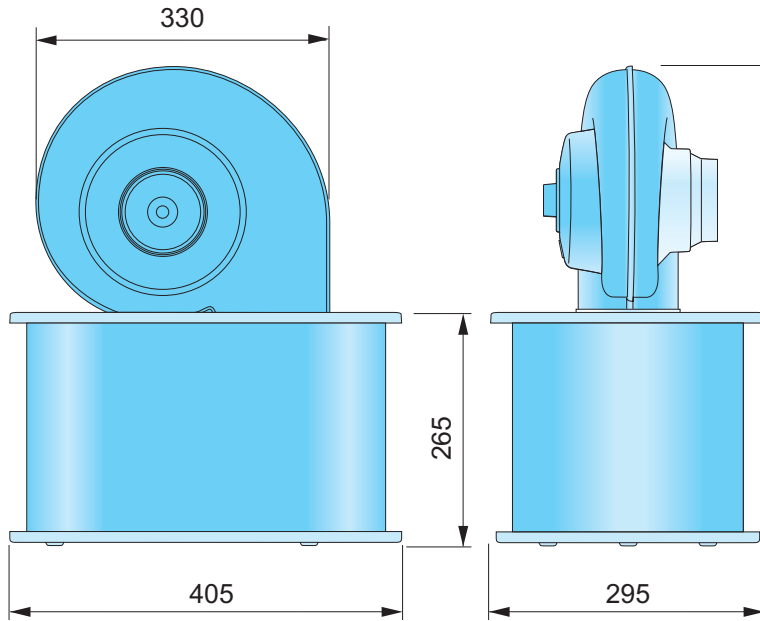
Save your lungs!

By using a suitable and effective extraction solution combined with an efficient filter system, you can reduce or even eliminate the risk of working with airborne hazards.

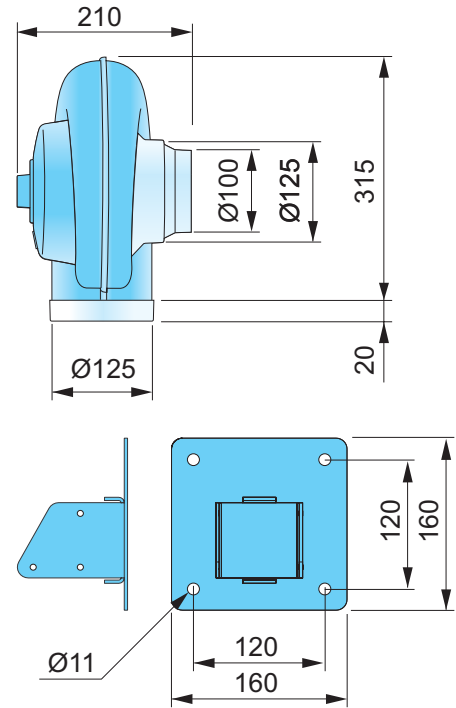
Particles smaller than 5 µm enter your lungs through the alveolus and can harm you in a many ways. It is best practice to prevent the airborne hazard entering the breathing zone by capturing it at source.



0709



LF 50



LF VK

Technical description

Technical Data LF 50

Airflow 0-80 l/s (max)
 Weight 8 kg
 Noise level (1 m) 60 dB(a)
 Power 195 W, 230 V 50Hz

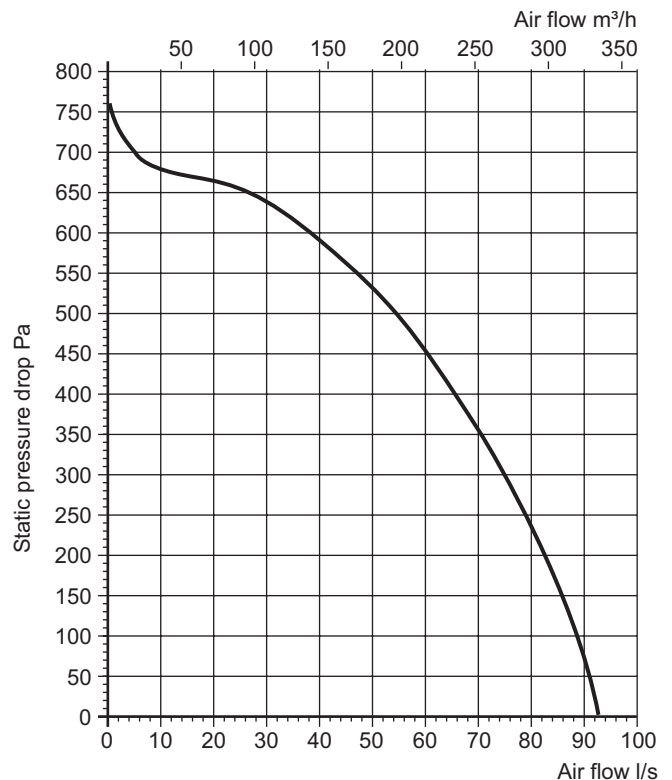
Particle / Gasfilter

FHC 50 HEPA filter H13*/Activated carbon filter

Gasfilter

FC 50 Carbon filter 6.5 kg activated carbon

*Filter efficiency for a H13 filter is 99.99% for 0.3 µm particles



FUMEX®

Verkstadvägen 2, 931 61 SKELLEFTEÅ, Sweden
 Tel.Int. +46 910-361 80, Fax.Int. +46 910-130 22
 www.fumex.se info@fumex.se