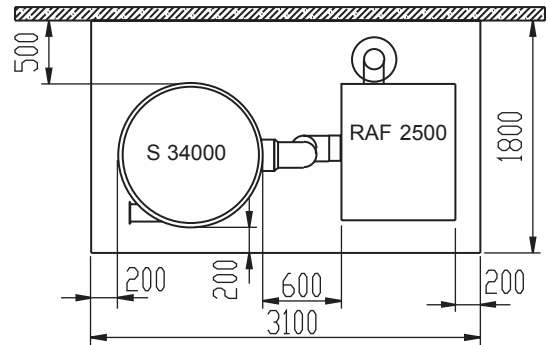
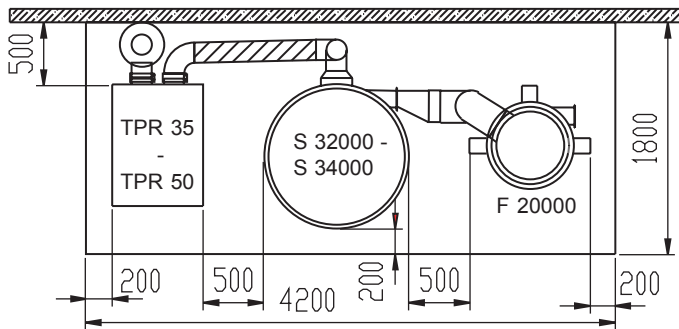
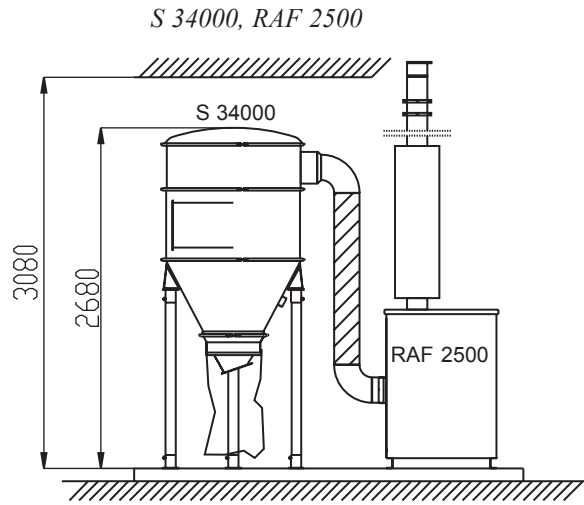
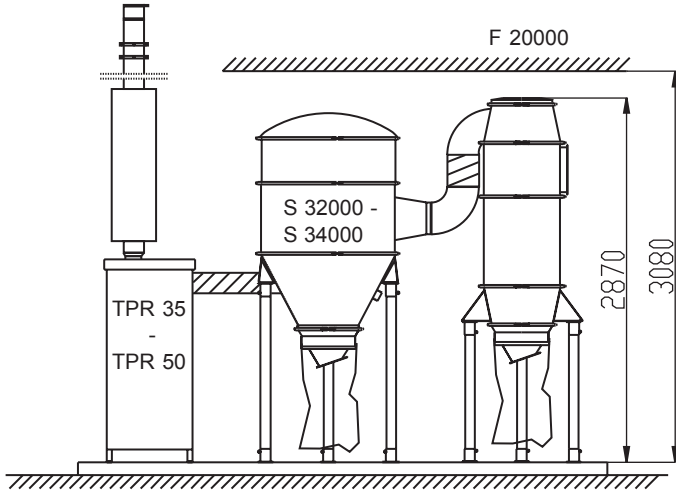
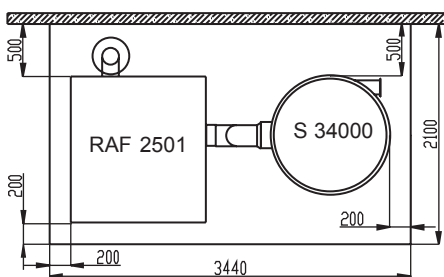
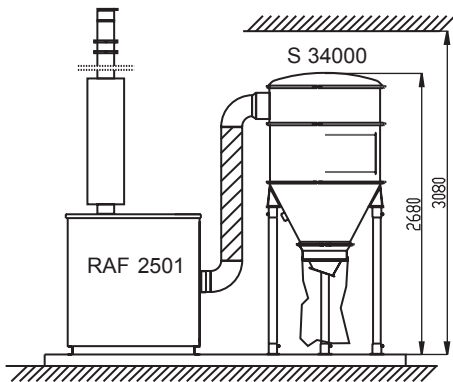


Installation Examples

TPR 35 - TPR 50, S 32000 - S 34000, F 20000



RAF 2501, S 34000



RAF 2502, S 34000X

