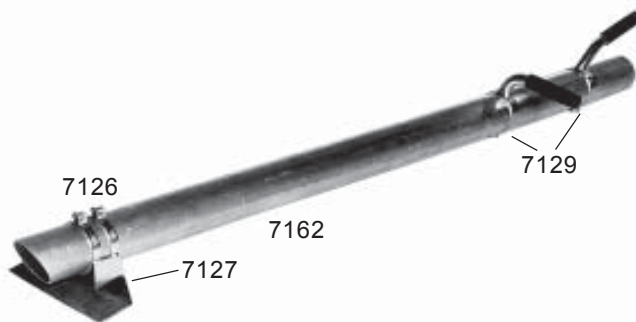


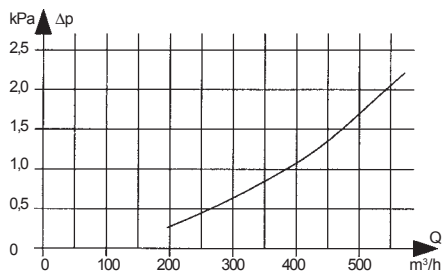
Cleaning Accessories \varnothing 76

Part No Description

- 7126 Handle for suction lance
- 7127 Scraper for suction lance
- 7129 Handle complete
- 7161 Bulk nozzle 76
- 7162 Suction lance 76



Pressure Loss



Pressure loss curve is valid for clean air. note that transported material will increase pressure loss according to the calculation on p. 6.

Welding Accessories/suction nozzles



Part No Description

- 4149 Suction nozzle
- 6005 Universal nozzle
- 6098 Tubular nozzle
- 6610 Universal nozzle
- 7148 Funnel shaped nozzle \varnothing 50
- 7150 Magnetic holder for 7148, 4149

Connection (\varnothing)

- 50
- 38
- 38
- 38
- 50
- 50

TECHNICAL DATA		
Part No	Q _{nom}	Δp_{nom}
4149	250 m³/h	1.6 kPa
6005	150 m³/h	1.6 kPa
6098	150 m³/h	3.8 kPa
6010	150 m³/h	1.6 kPa
7148	250 m³/h	1.6 kPa
9060	150 m³/h	2.7 kPa