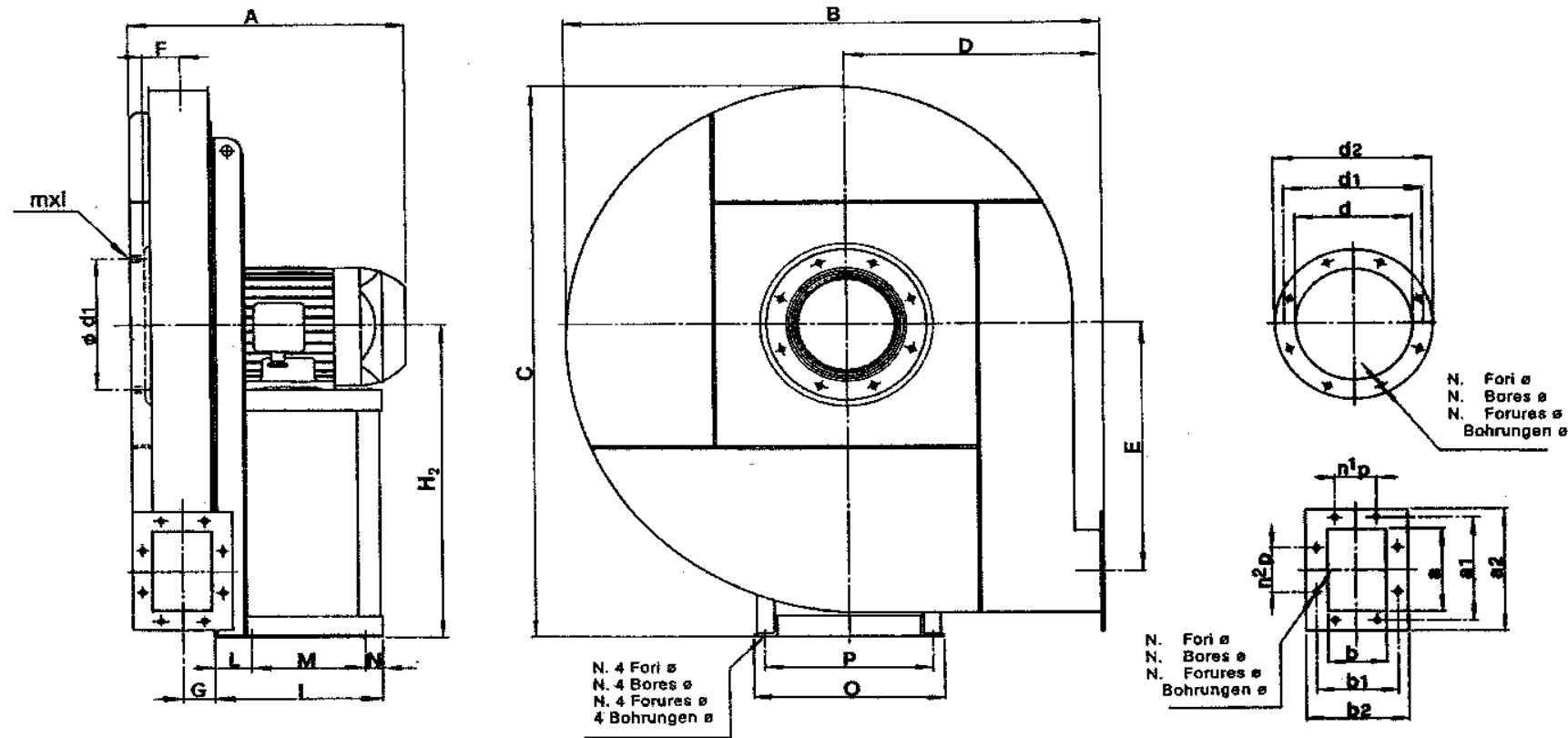


DIMENSIONI D'INGOMBRO SERIE "FI P4"  
OVERALL DIMENSIONS SERIES "FI P4"

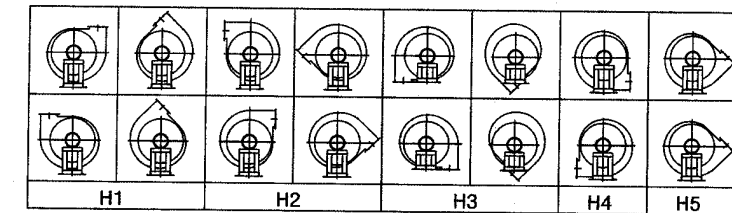
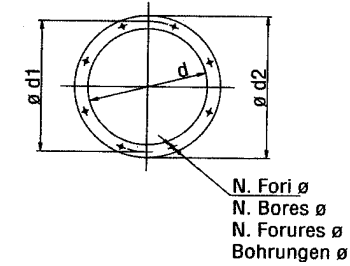
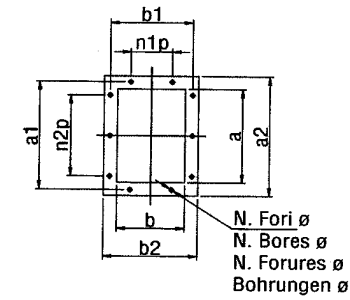
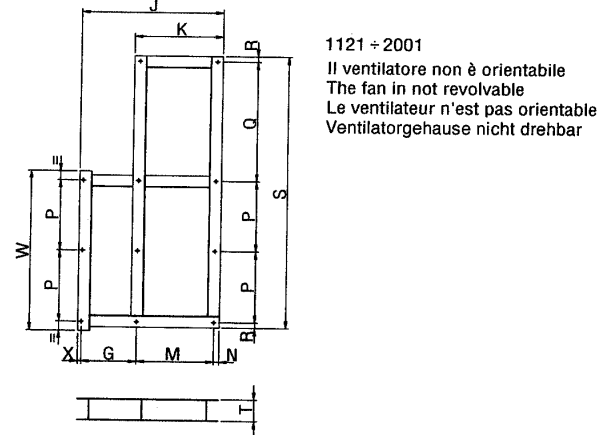
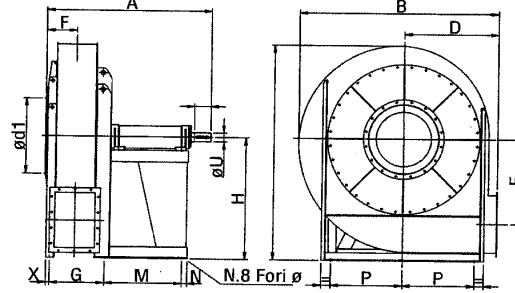
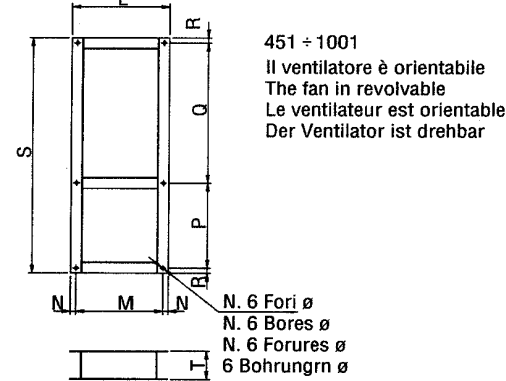
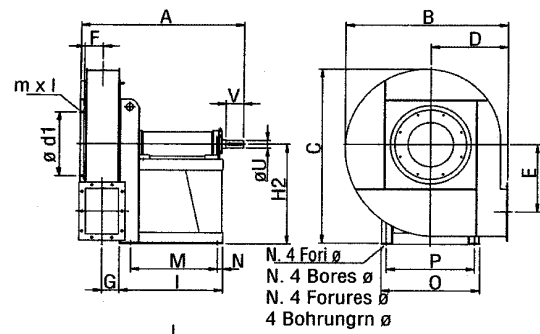
DIMENSIONS D'ENCOMBREMENT SERIE "FI P4"  
GEWICHTE SERIE "FI P4"



| Tipo/Type/Typ<br>Ventilatore<br>Fan<br>Ventilateur<br>Ventilator | Motore<br>Motor<br>Moteur<br>Motor | Ventilatore<br>Fan<br>Ventilateur<br>Ventilator |      |      |     |     |     |     |     |     |     |     | Basamento<br>Base<br>Chassis<br>Sockel |     |    |     |     |    |     | Flangia aspirante<br>Inlet flange<br>Bride à l'aspiration<br>Flansch saugseitig |     |    |    |       | Flangia premente<br>Outlet flange<br>Bride en refoulement<br>Flansch druckseitig |     |     |     |     |     | Peso<br>Weight<br>Poids<br>Gewicht<br>Kg | PD²<br>Kgf m² |     |     |      |      |     |
|--|------------------------------------|---|------|------|-----|-----|-----|-----|-----|-----|-----|-----|--|-----|----|-----|-----|----|-----|---|-----|----|----|-------|--|-----|-----|-----|-----|-----|--|---------------|-----|-----|------|------|-----|
|  |                                    | A   | B    | C    | D   | E   | F   | G   | H   | H1  | H2  | I   | L                                      | M   | N  | O   | P   | Ø  | d   | d1  | d2  | n° | Ø  | mxl   | a  | b   | a1  | b1  | a2  | b2  |  |               | n1p | n2p | n°   | Ø    |     |
| FI 451 P4A   | 132S2                              | 570   | 645  | 715  | 300 | 242 | 92  | 86  | 400 | 300 | 400 | 300 | 40                                     | 237 | 23 | 372 | 337 | 12 | 254 | 292   | 324 | 8  | 10 | M8x25 | 229  | 164 | 265 | 200 | 299 | 234 | 1-112                                    | 1-112         | 8   | 12  | 98   | 1,1  |     |
| FI 451 P4A   | 132S2                              | 570   | 645  | 715  | 300 | 242 | 92  | 86  | 400 | 300 | 400 | 300 | 40                                     | 237 | 23 | 372 | 337 | 12 | 254 | 292   | 324 | 8  | 10 | M8x25 | 229  | 164 | 265 | 200 | 299 | 234 | 1-112                                    | 1-112         | 8   | 12  | 104  | 1,1  |     |
| FI 502 P4A   | 132S2                              | 590   |      |      |     |     |     |     |     |     |     | 300 | 40                                     | 237 | 23 | 372 | 337 | 12 |     |   |     |    |    |       |  |     |     |     |     |     |  |               |     |     |      | 116  | 1,4 |
| FI 502 P4A   | 160M2                              | 685   | 715  | 800  | 335 | 272 | 101 | 97  | 450 | 335 | 450 | 415 | 50                                     | 337 | 28 | 440 | 395 | 14 | 285 | 332   | 365 | 8  | 10 | M8x25 | 256  | 183 | 292 | 219 | 326 | 253 | 1-112                                    | 2-112         | 10  | 12  | 131  | 1,4  |     |
| FI 501 P4A   | 132M2                              | 635   |      |      |     |     |     |     |     |     |     | 300 | 40                                     | 237 | 23 | 372 | 337 | 12 |     |   |     |    |    |       |  |     |     |     |     |     |  |               |     |     |      | 118  | 1,6 |
| FI 501 P4A   | 160M2                              | 685   |      |      |     |     |     |     |     |     |     | 415 | 50                                     | 337 | 28 | 440 | 395 | 14 |     |   |     |    |    |       |  |     |     |     |     |     |  |               |     |     |      | 148  | 1,6 |
| FI 562 P4A   | 160M2                              | 760   |      |      |     |     |     |     |     |     |     |     |  |     |    |     |     |    |     |   |     |    |    |       |  |     |     |     |     |     |  |               |     |     |      | 155  | 2,2 |
| FI 562 P4A   | 160L2                              | 805   | 805  | 890  | 375 | 308 | 115 | 107 | 500 | 375 | 500 | 433 | 50                                     | 355 | 28 | 440 | 395 | 14 | 320 | 366   | 400 | 8  | 10 | M8x25 | 288  | 205 | 332 | 249 | 368 | 285 | 1-125                                    | 2-125         | 10  | 12  | 180  | 2,2  |     |
| FI 561 P4A   | 160M2                              | 760   |      |      |     |     |     |     |     |     |     |     |  |     |    |     |     |    |     |   |     |    |    |       |  |     |     |     |     |     |  |               |     |     |      | 189  | 2,7 |
| FI 561 P4A   | 180M2                              | 820   |      |      |     |     |     |     |     |     |     | 478 | 70                                     | 375 | 33 | 488 | 434 | 17 |     |   |     |    |    |       |  |     |     |     |     |     |  |               |     |     | 215  | 2,7  |     |
| FI 632 P4A   | 180M2                              | 820   |      |      |     |     |     |     |     |     |     | 460 | 70                                     | 357 | 33 | 488 | 434 | 17 |     |   |     |    |    |       |  |     |     |     |     |     |  |               |     |     | 254  | 4,1  |     |
| FI 632 P4A   | 200L2                              | 850   | 910  | 1000 | 425 | 348 | 127 | 120 | 560 | 425 | 560 | 500 | 80                                     | 381 | 39 | 568 | 506 | 19 | 360 | 405   | 440 | 8  | 10 | M8x25 | 322  | 229 | 366 | 273 | 402 | 309 | 1-125                                    | 2-125         | 10  | 12  | 316  | 4,1  |     |
| FI 631 P4A   | 200L2                              | 920   |      |      |     |     |     |     |     |     |     |     |  |     |    |     |     |    |     |   |     |    |    |       |  |     |     |     |     |     |  |               |     |     |      | 298  | 4,8 |
| FI 631 P4A   | 225M2                              | 920   |      |      |     |     |     |     |     |     |     | 540 | 80                                     | 421 | 39 | 616 | 556 | 19 |     |   |     |    |    |       |  |     |     |     |     |     |  |               |     |     | 408  | 4,8  |     |
| FI 712 P4A   | 225M2                              | 950   |      |      |     |     |     |     |     |     |     | 540 | 80                                     | 421 | 39 | 616 | 556 | 19 |     |   |     |    |    |       |  |     |     |     |     |     |  |               |     |     | 334  | 6,9  |     |
| FI 712 P4A   | 250M2                              | 985   | 1015 | 1120 | 475 | 389 | 140 | 133 | 630 | 475 | 630 | 600 | 90                                     | 466 | 44 | 676 | 604 | 19 | 405 | 448   | 485 | 12 | 10 | M8x25 | 361  | 256 | 405 | 300 | 441 | 336 | 1-125                                    | 2-125         | 10  | 12  | 359  | 6,9  |     |
| FI 711 P4A   | 250M2                              | 1065  |      |      |     |     |     |     |     |     |     |     |  |     |    |     |     |    |     |   |     |    |    |       |  |     |     |     |     |     |  |               |     |     |      | 362  | 8,5 |
| FI 711 P4A   | 280S2                              | 1195  |      |      |     |     |     |     |     |     |     | 690 | 100                                    | 540 | 50 | 690 | 770 | 21 |     |   |     |    |    |       |  |     |     |     |     |     |  |               |     |     | 507  | 8,5  |     |
| FI 802 P4A   | 280S2                              | 1195  |      |      |     |     |     |     |     |     |     | 690 | 100                                    | 540 | 50 | 690 | 770 | 21 |     |   |     |    |    |       |  |     |     |     |     |     |  |               |     |     | 707  | 11   |     |
| FI 802 P4A   | 315S2                              | 1320  | 1140 | 1260 | 530 | 440 | 161 | 150 | 710 | 530 | 710 | 800 | 110                                    | 635 | 55 | 850 | 760 | 21 | 455 | 497   | 535 | 12 | 10 | M8x25 | 404  | 288 | 448 | 332 | 484 | 368 | 2-125                                    | 3-125         | 14  | 12  | 1050 | 11   |     |
| FI 801 P4A   | 315S2                              | 1320  |      |      |     |     |     |     |     |     |     |     |  |     |    |     |     |    |     |   |     |    |    |       |  |     |     |     |     |     |  |               |     |     |      | 1055 | 14  |
| FI 801 P4A   | 315M2                              | 1320  |      |      |     |     |     |     |     |     |     |     |  |     |    |     |     |    |     |   |     |    |    |       |  |     |     |     |     |     |  |               |     |     |      | 1055 | 14  |
| FI 902 P4A   | 315M2                              | 1350  | 1285 | 1420 | 600 | 496 | 177 | 168 | 800 | 600 | 800 | 800 | 110                                    | 635 | 55 | 850 | 760 | 21 | 505 | 551   | 585 | 12 | 10 | M8x25 | 453  | 322 | 497 | 366 | 533 | 402 | 2-125                                    | 3-125         | 14  | 12  | 1061 | 18   |     |
| FI 902 P4A   | 315M2                              | 1350  |      |      |     |     |     |     |     |     |     |     |  |     |    |     |     |    |     |   |     |    |    |       |  |     |     |     |     |     |  |               |     |     |      | 1128 | 18  |
| FI 901 P4A   | 315M2                              | 1350  |      |      |     |     |     |     |     |     |     |     |  |     |    |     |     |    |     |   |     |    |    |       |  |     |     |     |     |     |  |               |     |     |      | 1136 | 20  |
| FI 901 P4A   | 315M2                              | 1350  |      |      |     |     |     |     |     |     |     |     |  |     |    |     |     |    |     |   |     |    |    |       |  |     |     |     |     |     |  |               |     |     |      | 1196 | 20  |

DIMENSIONI D'INGOMBRO SERIE "FI P1"  
OVERALL DIMENSIONS SERIES "FI P1"

DIMENSIONS D'ENCOMBREMENT SERIE "FI P1"  
GEWICHTE SERIE "FI P1"

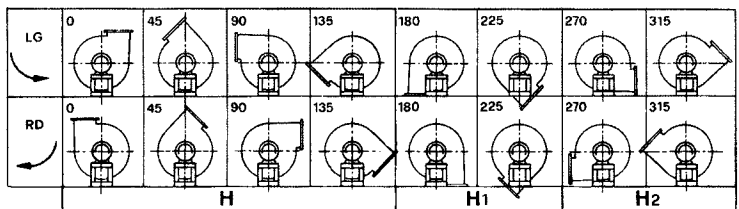
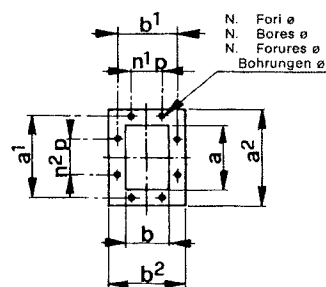
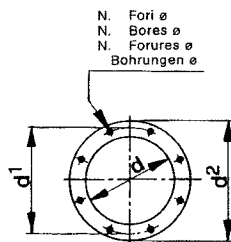
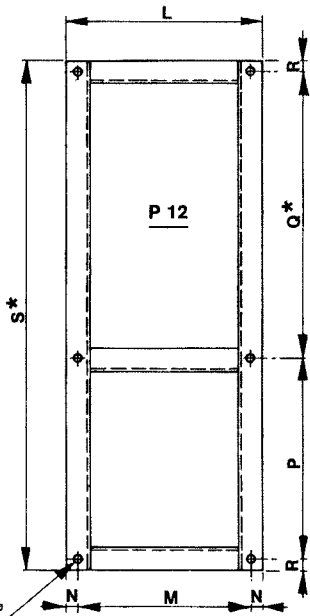
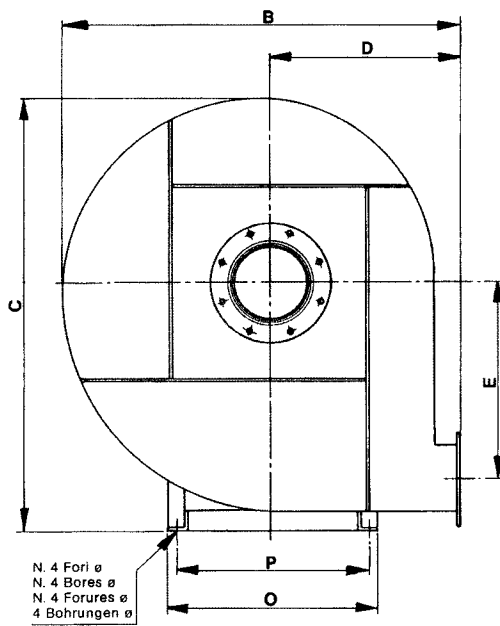
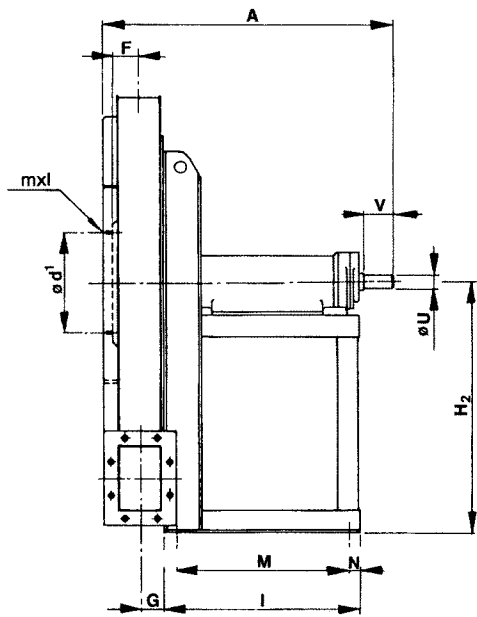


| Tipo/Type/Typ<br>Ventilatore<br>Fan<br>Ventilateur<br>Ventilator | Ventilatore<br>Fan<br>Ventilateur<br>Ventilator |      |      |      |      |     |     |     |      |      | Basamento<br>Base<br>Chassis<br>Sockel |      |      |      |      |      |     |     |     |     | Peso<br>Weight<br>Poids<br>Gewicht<br>Kg |      |      |      |      |      |      |     |    |   |
|--|---|------|------|------|------|-----|-----|-----|------|------|--|------|------|------|------|------|-----|-----|-----|-----|--|------|------|------|------|------|------|-----|----|---|
|  | A   | B    | C    | D    | E    | F   | G   | G1  | H1   | H2   | H3                                     | H4   | H5   | I    | J    | K    | L   | M   | N   | O   |  | P    | P1   | Q    | R    | S    | T    | W   | X  | Ø |
| FI 451 P1A   | 755   | 645  | 715  | 300  | 242  | 92  | 86  | *   | 400  | 300  | 400                                    | 446  | *    | *    | 458  | 412  | 23  | 400 | 355 | *   | 761                                      | 22   | 1160 | 120  | *    | *    | 14   | 33  |    |   |
| FI 501 P1A   | 770   | 715  | 800  | 335  | 272  | 101 | 97  | *   | 450  | 335  | 450                                    | 452  | *    | *    | 463  | 417  | 23  | 400 | 355 | *   | 721                                      | 22   | 1120 | 120  | *    | *    | 14   | 35  |    |   |
| FI 561 P1A   | 915   | 805  | 890  | 375  | 308  | 115 | 107 | *   | 500  | 375  | 500                                    | 539  | *    | *    | 532  | 476  | 28  | 418 | 364 | *   | 762                                      | 27   | 1180 | 160  | *    | *    | 17   | 43  |    |   |
| FI 631 P1A   | 930   | 910  | 1000 | 425  | 348  | 127 | 120 | *   | 560  | 425  | 560                                    | 520  | *    | *    | 535  | 479  | 28  | 418 | 364 | *   | 832                                      | 27   | 1250 | 160  | *    | *    | 17   | 55  |    |   |
| FI 711 P1A   | 1020  | 1015 | 1120 | 475  | 389  | 140 | 133 | *   | 530  | 475  | 630                                    | 590  | *    | *    | 605  | 539  | 33  | 606 | 542 | *   | 894                                      | 32   | 1500 | 180  | *    | *    | 19   | 58  |    |   |
| FI 801 P1A   | 1061  | 1140 | 1260 | 530  | 440  | 161 | 150 | *   | 600  | 530  | 710                                    | 595  | *    | *    | 614  | 548  | 33  | 646 | 582 | *   | 954                                      | 32   | 1600 | 180  | *    | *    | 19   | 72  |    |   |
| FI 901 P1A   | 1220  | 1285 | 1420 | 600  | 496  | 177 | 168 | *   | 670  | 600  | 800                                    | 650  | *    | *    | 650  | 572  | 39  | 762 | 682 | *   | 1038                                     | 40   | 1800 | 200  | *    | *    | 21   | 122 |    |   |
| FI 1001 P1A  | 1365  | 1430 | 1590 | 670  | 556  | 252 | 188 | *   | 750  | 670  | 900                                    | 710  | *    | *    | 710  | 632  | 39  | 862 | 782 | *   | 1238                                     | 40   | 2100 | 220  | *    | *    | 21   | 153 |    |   |
| FI 1121 P1A  | 1420  | 1600 | 1770 | 750  | 626  | 282 | *   | 504 | 850  | 750  | 1000                                   | *    | 1194 | 710  | *    | 600  | 55  | *   | *   | 589 | 1066                                     | 45   | 2334 | 220  | 1348 | 35   | 24   | 230 |    |   |
| FI 1251 P1A  | 1547  | 1805 | 1985 | 850  | 706  | 317 | *   | 543 | 950  | 850  | 1120                                   | *    | 1333 | 800  | *    | 710  | 45  | *   | *   | 655 | 1230                                     | 45   | 2630 | 220  | 1480 | 35   | 24   | 258 |    |   |
| FI 1401 P1A  | 1732  | 2020 | 2220 | 950  | 790  | 354 | *   | 652 | 1060 | 950  | 1250                                   | *    | 1522 | 890  | *    | 780  | 55  | *   | *   | 725 | 1240                                     | 55   | 2800 | 220  | 1640 | 35   | 24   | 284 |    |   |
| FI 1601 P1A  | 1984  | 2314 | 2482 | 1060 | 884  | 400 | *   | 744 | 1200 | 1120 | 1060                                   | 1400 | *    | 1771 | 1047 | *    | 917 | 65  | *   | *   | 820                                      | 1195 | 55   | 2945 | 220  | 1850 | 45   | 28  |    |   |
| FI 1801 P1A  | 2098  | 2586 | 2767 | 1180 | 999  | 327 | *   | 823 | 1330 | 1250 | 1180                                   | 1550 | 1400 | *    | 1860 | 1047 | *   | 917 | 65  | *   | *  | 915  | 1295 | 60   | 3245 | 250  | 2070 | 55  | 28 |   |
| FI 2001 P1A  | 2175  | 2878 | 3153 | 1320 | 1112 | 366 | *   | 900 | 1500 | 1400 | 1320                                   | 1800 | 1600 | *    | 1937 | 1047 | *   | 917 | 65  | *   | *  | 1015 | 1350 | 60   | 3500 | 250  | 2270 | 55  | 28 |   |

| Tipo/Type/Typ<br>Ventilatore<br>Fan<br>Ventilateur<br>Ventilator | Albero<br>Shaft<br>Arbre<br>Welle |     | Flangia aspirante<br>Inlet flange<br>Bride à l'aspiration<br>Flansch saugseitig |      |      |      |     | Flangia premente<br>Outlet flange<br>Bride en refoulement<br>Flansch druckseitig |     |      |     |       |       |     | Peso<br>Weight<br>Poids<br>Gewicht<br>Kg | PD <sup>2</sup><br>Kg/m <sup>2</sup> |     |      |      |     |
|--|-----------------------------------|-----|---|------|------|------|-----|--|-----|------|-----|-------|-------|-----|--|--------------------------------------|-----|------|------|-----|
|  | U                                 | V   | d   | d1   | d2   | n°   | Ø   | mxl  | a   | b    | a1  | b1    | a2    | b2  |  |                                      | n1p | n2p  | n°   | Ø   |
| FI 451 P1A   | 38                                | 80  | 254   | 292  | 324  | 8    | 10  | 8x25   | 229 | 164  | 265 | 200   | 299   | 234 | 1-112                                    | 1-112                                | 8   | 12   | 68   | 1,1 |
| FI 501 P1A   | 38                                | 80  | 285   | 332  | 365  |      |     |  | 256 | 183  | 292 | 219   | 326   | 253 |  | 2-112                                |     |      | 88   | 1,6 |
| FI 561 P1A   | 42                                | 110 | 320   | 366  | 400  |      |     |  | 288 | 205  | 332 | 249   | 368   | 285 | 1-125                                    | 2-125                                | 10  |      | 127  | 2,7 |
| FI 631 P1A   | 48                                | 110 | 360   | 405  | 440  |      |     |  | 322 | 229  | 366 | 273   | 402   | 309 |  | 175                                  |     |      | 4,8  |     |
| FI 711 P1A   | 48                                | 110 | 405   | 448  | 485  |      |     |  | 361 | 256  | 405 | 300   | 441   | 336 | 2-125                                    | 3-125                                | 14  |      | 220  | 8,5 |
| FI 801 P1A   | 55                                | 110 | 455   | 497  | 535  |      |     |  | 404 | 288  | 448 | 332   | 504   | 368 |  |                                      |     |      | 310  | 14  |
| FI 901 P1A   | 65                                | 140 | 505   | 551  | 585  |      |     |  | 453 | 322  | 497 | 366   | 553   | 402 | 3-160                                    | 4-160                                | 16  |      | 480  | 20  |
| FI 1001 P1A  | 80                                | 170 | 566   | 629  | 666  |      |     |  | 507 | 361  | 551 | 405   | 587   | 441 |  |                                      |     |      | 825  | 46  |
| FI 1121 P1A  | 80                                | 170 | 636   | 698  | 736  |      |     |  | 569 | 404  | 629 | 464   | 669   | 504 | 4-160                                    | 4-200                                | 14  |      | 765  | 75  |
| FI 1251 P1A  | 90                                | 170 | 716   | 775  | 816  |      |     |  | 638 | 453  | 698 | 513   | 738   | 553 |  |                                      |     |      | 1135 | 118 |
| FI 1401 P1A  | 80                                | 170 | 806   | 861  | 906  | 16   | 12  | *  | 715 | 507  | 775 | 567   | 815   | 607 | 4-160                                    | 1240                                 | 225 |      |      |     |
| FI 1601 P1A  | 90                                | 170 | 906   | 958  | 1006 |      |     |  | 801 | 569  | 871 | 639   | 921   | 689 | 3-200                                    | 4-200                                | 14  | 1650 | 299  |     |
| FI 1801 P1A  | 100                               | 210 | 1007  | 1067 | 1107 |      |     |  | 898 | 638  | 968 | 708   | 1018  | 758 | 2205                                     | 522                                  |     |      |      |     |
| FI 2001 P1A  | 100                               | 210 | 1128  | 1200 | 1248 | 1007 | 715 | 1077   | 785 | 1127 | 835 | 4-200 | 3-200 | 18  | 2895                                     | 1005                                 |     |      |      |     |

Tabella non impegnativa  
The above data are unbinding

Tableau sans engagement  
Unverbindliche Tabelle



\* Per la grandezza 711 per i motori grandezza 250 la quota aumenta di 100 mm  
For fans size 711 for motors size 250 the measure increases of 100 mm

| Tipo/Type/Typ<br>Ventilatore<br>Fan<br>Ventilateur<br>Ventilator | Ventilatore<br>Fan<br>Ventilateur<br>Ventilator |      |      |     |     |     |     |     |     |     |     | Basamento<br>Base<br>Chassis<br>Sockel |     |    |     |     |      |      |      |     |    | Peso<br>Weight<br>Poids<br>Gewicht |    | Albero<br>Shaft<br>Arbre<br>Welle |  |
|--|---|------|------|-----|-----|-----|-----|-----|-----|-----|-----|--|-----|----|-----|-----|------|------|------|-----|----|------------------------------------|----|-----------------------------------|--|
|  | A   | B    | C    | D   | E   | F   | G   | H   | H1  | H2  | I   | L                                      | M   | N  | O   | P   | Q    | R    | S    | T   | Ø  | Kgf                                | U  | V                                 |  |
| FG 351 P1A   | 540   | 535  | 615  | 250 | 215 | 61  | 56  | 355 | 250 | 355 | 333 | 333                                    | 299 | 17 | 324 | 288 | 526  | 18   | 850  | 100 | 12 | 16                                 | 24 | 50                                |  |
| FG 401 P1A   | 700   | 590  | 655  | 280 | 238 | 67  | 61  | 375 | 280 | 375 | 463 | 463                                    | 417 | 23 | 400 | 355 | 650  | 22,5 | 1050 | 120 | 14 | 24                                 | 28 | 60                                |  |
| FG 451 P1A   | 700   | 645  | 715  | 300 | 265 | 76  | 70  | 400 | 300 | 400 | 475 | 458                                    | 412 | 23 | 400 | 355 | 660  | 22,5 | 1060 | 120 | 14 | 33                                 | 38 | 80                                |  |
| FG 501 P1A   | 760   | 715  | 800  | 335 | 297 | 83  | 78  | 450 | 335 | 450 | 463 | 463                                    | 417 | 23 | 400 | 355 | 720  | 22,5 | 1120 | 120 | 14 | 35                                 | 38 | 80                                |  |
| FG 561 P1A   | 905   | 805  | 890  | 375 | 337 | 92  | 87  | 500 | 375 | 500 | 571 | 532                                    | 476 | 28 | 418 | 364 | 762  | 27   | 1180 | 160 | 17 | 44                                 | 42 | 110                               |  |
| FG 631 P1A   | 920   | 910  | 1000 | 425 | 381 | 104 | 98  | 560 | 425 | 560 | 565 | 535                                    | 479 | 28 | 418 | 364 | 832  | 27   | 1250 | 160 | 17 | 52                                 | 48 | 110                               |  |
| FG 711 P1A   | 1010  | 1015 | 1120 | 475 | 426 | 115 | 109 | 530 | 475 | 630 | 629 | 605                                    | 539 | 33 | 606 | 542 | 894  | 32   | 1500 | 180 | 19 | 75                                 | 48 | 110                               |  |
| FG 801 P1A   | 1055  | 1140 | 1260 | 530 | 481 | 127 | 121 | 600 | 530 | 710 | 650 | 614                                    | 548 | 33 | 646 | 582 | 954  | 32   | 1600 | 180 | 19 | 82                                 | 55 | 110                               |  |
| FG 901 P1A   | 1150  | 1285 | 1420 | 600 | 542 | 144 | 135 | 670 | 600 | 800 | 650 | 650                                    | 572 | 39 | 762 | 682 | 1038 | 40   | 1800 | 200 | 21 | 124                                | 65 | 140                               |  |

| Tipo/Type/Typ<br>Ventilatore<br>Fan<br>Ventilateur<br>Ventilator | Flangia aspirante<br>Inlet flange<br>Bride à l'aspiration<br>Flansch saugseitig |     |     |    |    | Flangia premente<br>Outlet flange<br>Bride en refoulement<br>Flansch druckseitig |     |     |     |     |     |     |       |       |    | Peso<br>Weight<br>Poids<br>Gewicht |     | PD <sup>2</sup><br>GD <sup>2</sup> |
|--|---|-----|-----|----|----|--|-----|-----|-----|-----|-----|-----|-------|-------|----|------------------------------------|-----|------------------------------------|
|  | d   | d1  | d2  | n° | Ø  | mxl  | a   | b   | a1  | b1  | a2  | b2  | n1p   | n2p   | n° | Ø                                  | Kgf | Kgf m <sup>2</sup>                 |
| FG 351 P1A   | 184   | 219 | 254 | 8  | 8  | M6X20  | 146 | 105 | 182 | 139 | 216 | 175 | -     | 1-112 | 6  | 12                                 | 31  | 0,26                               |
| FG 401 P1A   | 204   | 241 | 274 | 8  | 8  |  | 164 | 117 | 200 | 151 | 234 | 187 | -     | 1-112 | 6  | 12                                 | 54  | 0,51                               |
| FG 451 P1A   | 228   | 265 | 298 | 8  | 8  |  | 183 | 131 | 219 | 165 | 253 | 201 | -     | 1-112 | 6  | 12                                 | 66  | 1                                  |
| FG 501 P1A   | 254   | 292 | 324 | 8  | 10 | M8X25  | 205 | 146 | 241 | 182 | 275 | 216 | 1-112 | 1-112 | 8  | 12                                 | 86  | 1,5                                |
| FG 561 P1A   | 285   | 332 | 365 | 8  | 10 |  | 229 | 164 | 265 | 200 | 299 | 234 | 1-112 | 1-112 | 8  | 12                                 | 121 | 2,5                                |
| FG 631 P1A   | 320   | 365 | 400 | 8  | 10 |  | 256 | 183 | 292 | 219 | 326 | 253 | 1-112 | 2-112 | 10 | 12                                 | 171 | 4,5                                |
| FG 711 P1A   | 360   | 405 | 440 | 8  | 10 |  | 288 | 205 | 332 | 249 | 368 | 285 | 1-125 | 2-125 | 10 | 12                                 | 238 | 7,4                                |
| FG 801 P1A   | 405   | 448 | 485 | 12 | 10 |  | 322 | 229 | 366 | 273 | 402 | 309 | 1-125 | 2-125 | 10 | 12                                 | 300 | 12,7                               |
| FG 901 P1A   | 455   | 497 | 535 | 12 | 10 |  | 361 | 256 | 405 | 300 | 441 | 336 | 1-125 | 2-125 | 10 | 12                                 | 470 | 19,1                               |

Peso ventilatore in kgf  
Fan weight in kgf  
Poids du ventilateur en kgf  
Ventilatorgewicht in kgf

Tabella non impegnativa  
The above data are unbinding  
Tableau sans engagement  
Unverbindliche Tabelle





